

Bolondi

Cleaning Heads

Serie FV

TESTINE AUTOROTANTI
LAVAGGIO VOLUMETRICO

FV Series

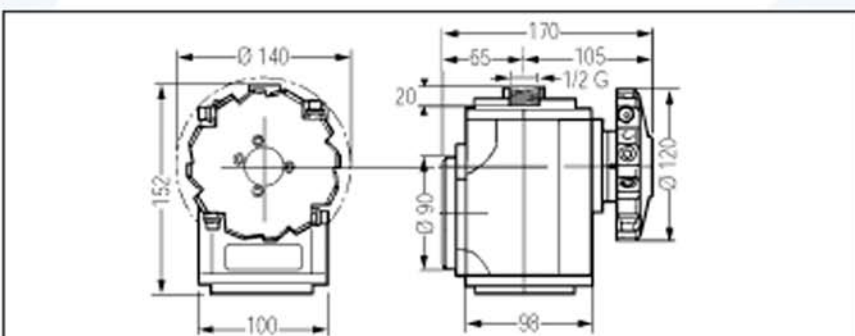
SELFSPINNING HEADS
VOLUMETRIC WASHING



THE PRODUCT REFERS CONFORMS BY	
97/23/EEC PRESSURISED EQUIPMENT	98/37/EEC MACHINES DIRECTIVE CE
FV Series	FV Series

FV 020

Self-spinning head for washing medium-large containers (tank trucks and silos).



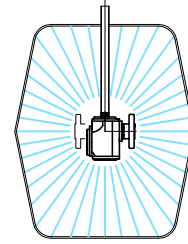
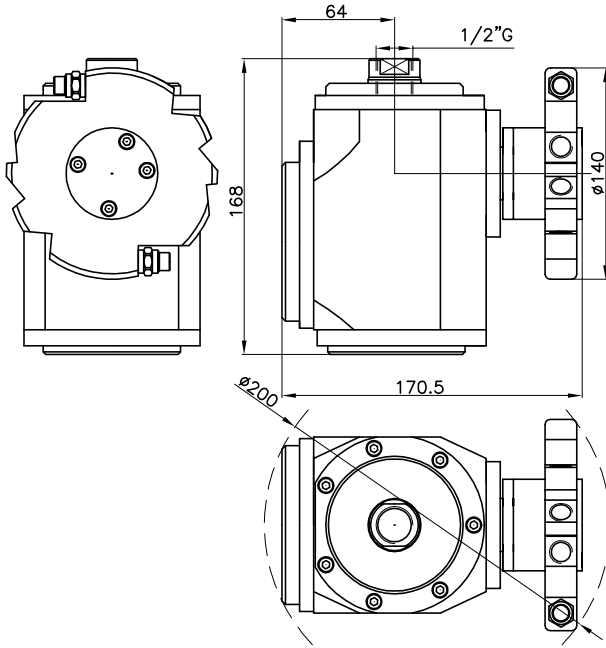
Operation

Selfspinning

Technical data:

Flow	200 l/min
Pressure	200-400 bar
Temperature	90° C
Min. pass-through hole dia.	170mm
Spinning speed (rpm)	2:12 min.
Water inlet	1/2"G
Nozzle	1/4"G
Nr. of nozzle	2-4
Weight	5,5 Kg
Lubrication	Oil bath siliconic
Materials	Alluminio Anticorodal / stainless steel 316
Seals	nbr

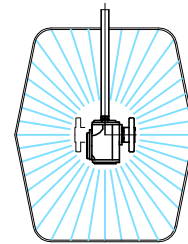
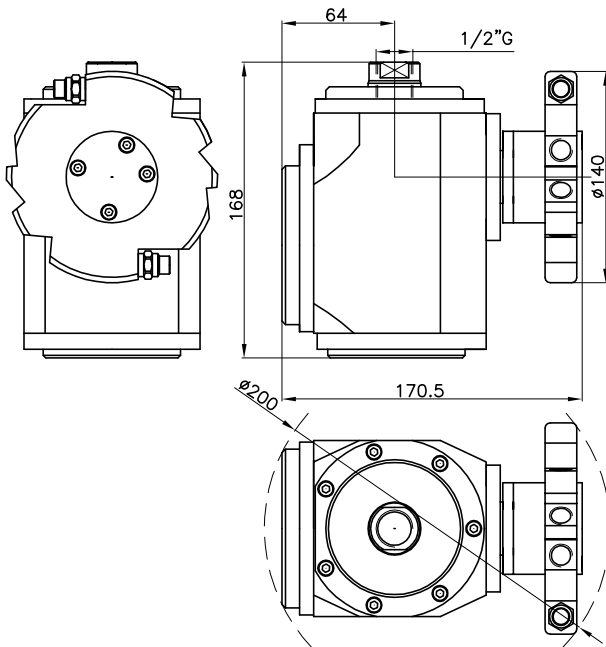
FV 020 200bar



flangiatura: coassiale
 materiale: alluminio o inox 316
 motore: autorotante (bassa velocità)
 portata: 10-200 l/min
 pressione max: 200 bar
 temperatura max: 90°C
 tenute: nbr
 ugelli: 1/4"G
 portaugelli: 2-4 vie

flanging: coaxial
 materials: aluminium or stainless steel
 motor: selfspinning (low speed)
 flow: 10-200 l/min
 pressure max: 200 bar
 temperature max: 90°C
 seals: nbr
 nozzles: 1/4"G
 nozzle holder: 2-4 holes

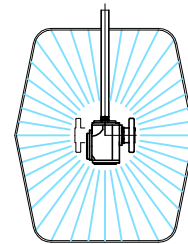
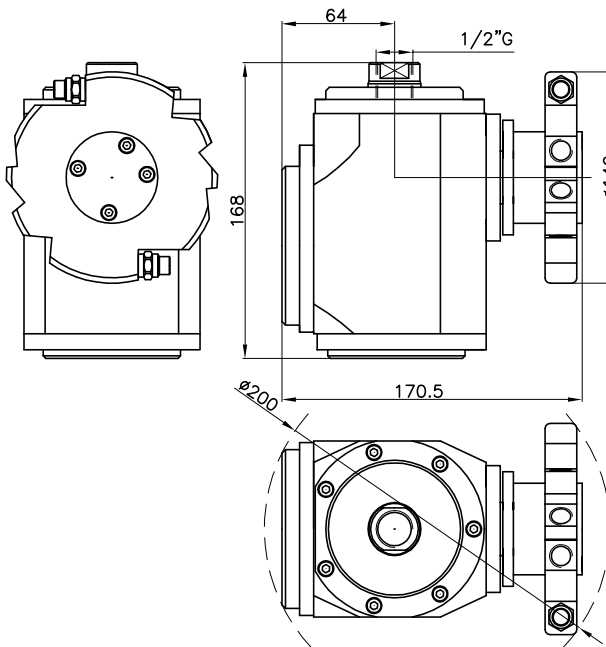
FV 025 200bar



flangiatura: coassiale
 materiale: alluminio o inox 316
 motore: autorotante (alta velocità)
 portata: 10-200 l/min
 pressione max: 200 bar
 temperatura max: 90°C
 tenute: nbr
 ugelli: 1/4"G
 portaugelli: 2-4 vie

flanging: coaxial
 materials: aluminium or stainless steel
 motor: selfspinning (high speed)
 flow: 10-200 l/min
 pressure max: 200 bar
 temperature max: 90°C
 seals: nbr
 nozzles: 1/4"G
 nozzle holder: 2-4 holes

FV 020 400bar



flangiatura: coassiale
 materiale: alluminio o inox 316
 motore: autorotante (bassa velocità)
 portata: 10-200 l/min
 pressione max: 400 bar
 temperatura max: 90°C
 tenute: nbr
 ugelli: 1/4"G
 portaugelli: 2-4 vie

flanging: coaxial
 materials: aluminium or stainless steel
 motor: selfspinning (low speed)
 flow: 10-200 l/min
 pressure max: 400 bar
 temperature max: 90°C
 seals: nbr
 nozzles: 1/4"G
 nozzle holder: 2-4 holes