



Bolonardi

Cleaning Heads

Serie XC



TESTINE AUTOROTANTI O MOTORIZZATE
LAVAGGIO A SETTORE O VOLUMETRICO

XC Series

SELFSPINNING OR MOTOR-DRIVEN HEADS
SECTION OR VOLUMETRIC WASHING

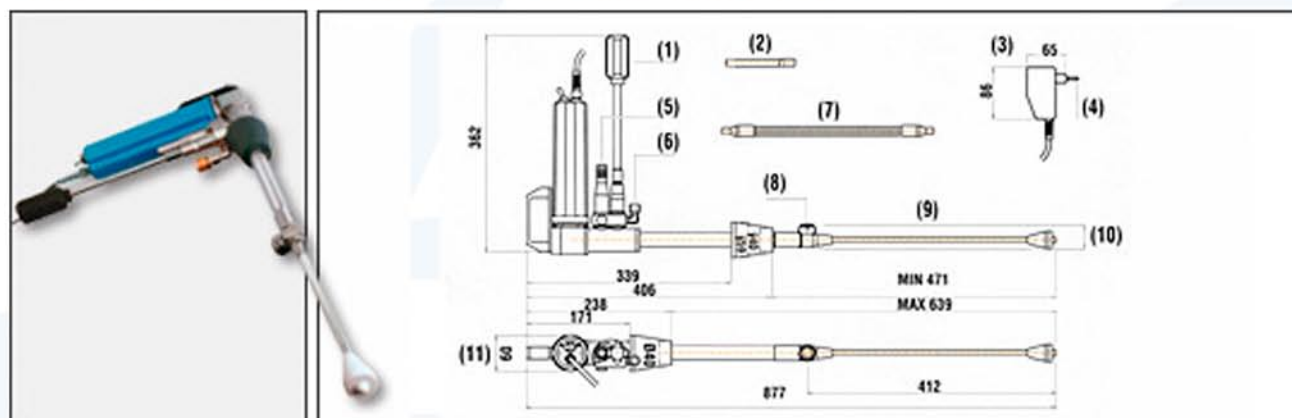


THE PRODUCT REFERS CONFORMS BY

<p>89/336/EEC ELECTROMAGNETIC COMPATIBILITY</p>	<p>94/9/EC "ATEX" DIRECTIVE  II 2 GD T5</p>	<p>97/23/EEC PRESSURISED EQUIPMENT</p>	<p>98/37/EEC MACHINES DIRECTIVE </p>
<p>XC with electric motor</p>	<p>XC 060 A - XC 060 P</p>	<p>XC Series</p>	<p>XC Series</p>

XC 020

Cleaning head for "barriques" and small casks with continuous and simultaneous drainage of washing water



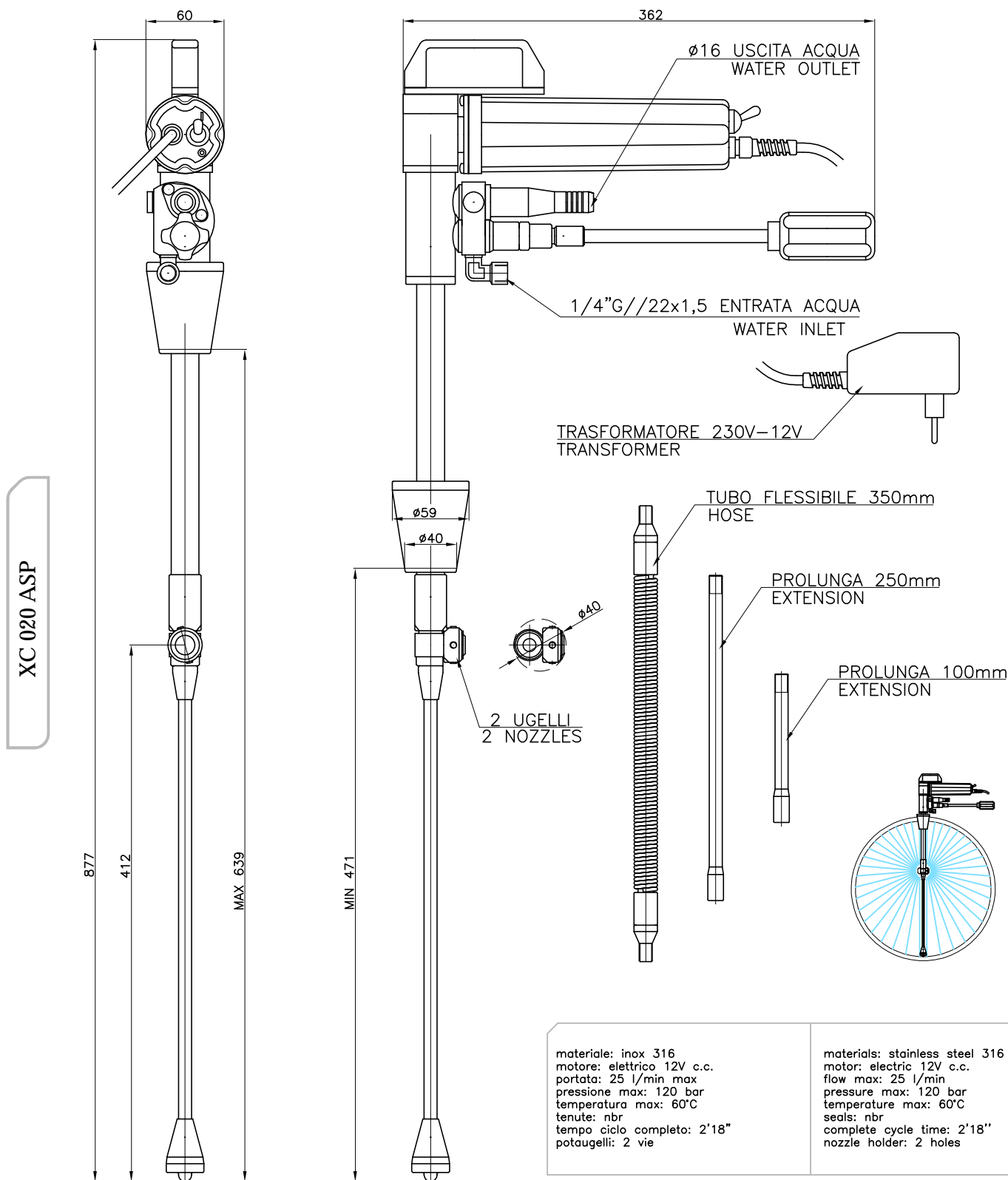
1	Washing closing valve
2	Extension 100 mm
3	Transformer 230V-12V
4	Plug CEI 23/16-S10
5	ø16 water outlet
6	1/4"G water inlet
7	Flexible hose 350 mm
8	2 nozzles
9	Rigid pipe 350 mm
10	Minimum hole diameter 40 mm
11	Width 60 mm

XC 020

Besides the combined washing and draining functions, the **XC 020** head features draining function only by means of a simple valve. Washing procedures are such as to ensure the complete removal of all remaining liquid. The head is also able to suck up solid parts with max dimensions of 6 mm. Easy to operate even in very small spaces, allows working in containers with holes of just 40 mm diameter. Features extension and flexible hose, making it practical for containers of various sizes and in all conditions where introduction is unfavourable. The head is made of stainless steel and is suitable for use in wine making. **Minimum barrel diameter 500 mm.**

Technical data

Max pressure	120 bar
Recommended pressure	80-90 bar
Flow range	15-25 l/min
Max temperature	60°C
Electric motor	12V
Cable length	10 m
Transformer with incorporated plug	230V
Rotation speed	10 rpm
Cycle time	3'18"
Water inlet connection	1/4G//22x1.5
Water outlet connection	ø 16
Weight	Kg 3.1



<p>materiale: inox 316 motore: elettrico 12V c.c. portata: 25 l/min max pressione max: 120 bar temperatura max: 60°C tenute: nbr tempo ciclo completo: 2'18" potaugelli: 2 vie</p>	<p>materials: stainless steel 316 motor: electric 12V c.c. flow max: 25 l/min pressure max: 120 bar temperature max: 60°C seals: nbr complete cycle time: 2'18" nozzle holder: 2 holes</p>
---	---

TESTA DI LAVAGGIO PER BARRIQUES E PICCOLE BOTTI

oltre alle funzioni combinate lavaggio e drenaggio la testina XC 020 è dotata di funzione solo drenaggio azionata da una valvola la modalità di lavaggio permette l'assoluta rimozione di ogni residuo liquido; la testina può aspirare anche parti solide con dimensione max 6 mm diametro minino del barile 500mm; dimensione max 500 litri

CLEANING HEAD FOR BARRIQUES AND SMALL CASKS

besides the combined washing and draining functions, the XC 020 head features draining function only by means of a simple valve washing procedures are such as to ensure the complete removal of all remaining liquid; the head is also able to suck up solid parts with max dimensions of 6 mm minimum barrel diameter 500 mm; max dimension 500 litres